

IRIS 

QUICK START GUIDE

Consumer Cellular®

Welcome!

This guide will help you get the most out of your new phone. You'll find instructions to help you begin using your device.

If you need more assistance, feel free to contact us by using the contact information listed below. We're always happy to help you!

Need More Information?

Visit our website at [Consumer Cellular.com/Help](https://Consumer.Cellular.com/Help)

Call us at (888) 835-6047

WHAT'S IN THE BOX

Your IRIS Flip contains the following items:

- IRIS Flip
- USB-C data cable
- USB-C wall charger
- Documentation

GETTING TO KNOW YOUR PHOHE



GETTING STARTED

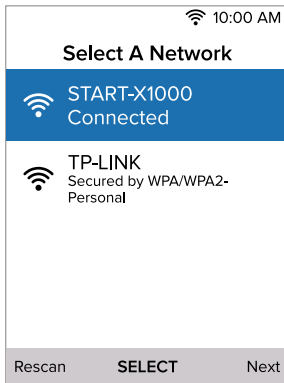
Initial Setup (First time)

The Setup Wizard built into your phone will guide you through the initial setup process.

Activate the eSIM (electronic SIM)

Your IRIS Flip comes with an eSIM and no physical SIM is needed to activate your service. To activate your eSIM, turn on your phone and follow these steps:

1. Select your language and select the keyboard.
2. Select your Wi-Fi network from the list.

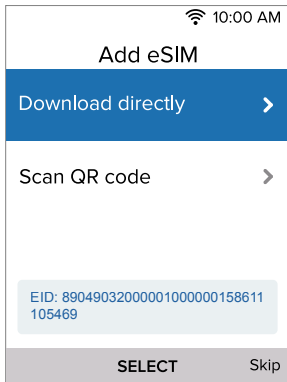




IMPORTANT: You must be connected to WiFi with internet connection to activate the eSIM.

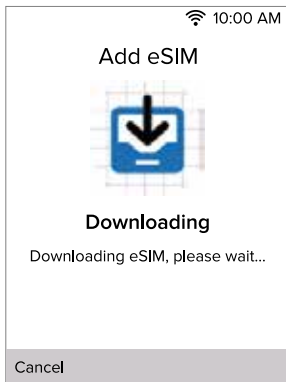
3.Add an eSIM


You can add the eSIM by **Download directly** or **Scan QR code**. Please start with **Download directly**.



3.1 Add eSIM through **Download directly**.

Select **Download directly**, your phone will start downloading eSIM. The download may take up to 1 minute depending on the Wi-Fi network condition.



 The eSIM will be enabled once download is finished, then device will **reboot automatically**.

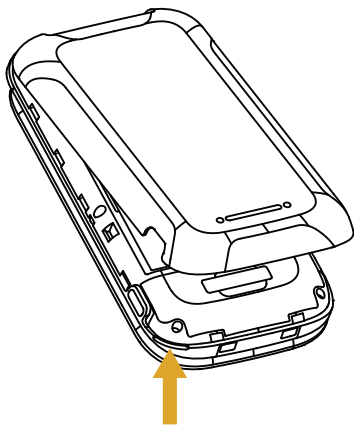
After the reboot connect to the WiFi network again and continue the setup.

Scan QR code if **Download directly** fails. If you are prompted to scan a QR code, find it in your Consumer Cellular packing slip or email if purchased at a retailer.

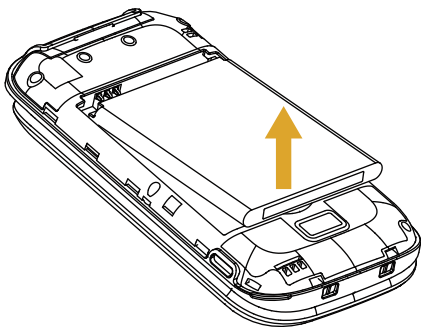
NOTE: Your setup may be different than the instructions in this Quick Start Guide because of software updates or if you choose different options. If the steps are different, just follow your phone's on-screen instructions for setup.

Open the back cover

1. Put your fingernail in the small slot at the bottom of the phone, lift and remove the cover.



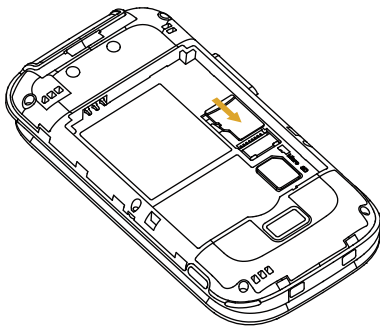
2.If the battery is in the phone, lift it out.



Installing a memory Card (Not Included)

1. Insert the SD card in the direction shown.
2. Replace the battery.
3. Replace the back cover.

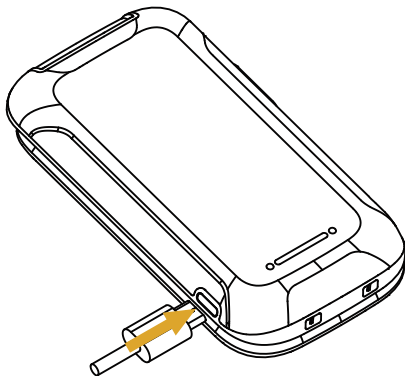
NOTE: Use a microSD memory card (up to 32 GB).



Charging the Phone

Your phone's battery should have enough power for the phone to go through initial startup and make calls. You should fully charge the battery as soon as possible.

Important! Use only approved chargers and USB cables.



KEYPAD

Use the phone keys

- To open the menu, press the navigation key.
- To open an app or select a feature, press the navigation key right, left, up, or down to scroll to the app or feature, and press the **OK** button.
- To go back to the previous view, press the back key.
- To go back to the home screen, press the power/end key once quickly.

Lock the keypad

To lock your keys simply close the fold.

Inputting with the keypad

Typing text

- Press a key repeatedly until the letter is shown. For example: To type the letter “c” press the 3 button 3 times to see the letter “c”.
- To type in a space, press 0 button.

- To type in a special character or punctuation mark, press * button and choose the special character or punctuation mark.
- To switch between lower & upper case, press # button and choose the case you want.
- To type in a number, press and hold that number key for 2 seconds.

INTERNET AND CONNECTIONS

Connect to the internet

1. Press **OK** to open the menu and select **Internet**.
2. Select Search or enter URL.
3. Write a web address, and select **Go**.
4. Use the navigation key to move the mouse cursor in the browser.

Switch on Bluetooth

1. Press **OK** to open the menu and select **Settings > Network & Connectivity > Bluetooth**.
2. Turn Bluetooth to **On**.
3. Select **Nearby devices** to find a new device or **Paired devices** to find a device you have paired your phone with previously.

Switch on Wi-Fi

1. Press **OK** to open the menu and select **Settings > Network & Connectivity > Wi-Fi**.
2. Switch Wi-Fi to **On**.
3. Select **Available networks** and the network you want, enter a password if needed, and select **Connect**.

PHONE CALLS

Make a call

Learn how to make a call with your new phone.

1. Type in the phone number. To type in the + character, used for international calls, and press * button twice.
2. Press **CALL**.
3. To end the call, press **PWR END**.

Answering a call

When you receive a phone call, press **CALL** or the **Left Navigation Key** to answer the call.

Reject a Call

When you receive a phone call, press **PWR END** or the **Right Navigation Key** to reject the call.

Press the navigation key and select options to reject the call and send a text message to the caller.

CONTACTS

Add a contact

1. Press the navigation key right from the home screen to open **Contacts**.
2. Select **New**.
3. Enter the contact details.
4. Select **SAVE**.

Transfer contacts from your old phone

To add contacts from your Gmail or Outlook account or your memory card to your new phone, select **Contacts > Options > Settings > Import Contacts**.

To add contacts from your old phone using Bluetooth:

1. On your new phone, select **Settings > Network & Connectivity > Bluetooth > On**.
2. Switch on Bluetooth on your old phone and send the needed contacts to your new phone using Bluetooth.
3. On your new phone, accept the transfer request.
4. On the home screen, select **Notices > Files received > Import**.

Call a contact

You can call a contact directly from the contacts list.

1. Press the scroll key, and select **Contacts** .
2. Scroll to a contact and press **CALL**.

SEND MESSAGES

Write and send messages

1. Press the OK key down from the home screen, and select **Messages > New**.
2. In the To field, press # button until you are able to enter numbers and then type in a phone number, or select **Contacts** to add a contact from your contacts list.
3. Write your message. If you need to remove a character, press the back key.
4. Select **SEND**.

SEND MAIL

Add an email account

When you use the Email app for the first time, you will be asked to set up your email account.

1. Press the **OK** key and select E-mail.
2. Select **Next** and then type in your name and email address.
3. Select **Next** and type in your password.
4. Many email accounts like @gmail, @yahoo, @outlook will automatically install their settings. Other email accounts will need the settings to be added.

Write an email

1. Press the **OK** and select E-mail.
2. Select **Compose**.
3. In the To field, type in an email address.
4. Type in the message subject and then compose your email.
5. Select **Send**.

PHOTOS AND VIDEOS

Take a photo

1. To switch on the camera, press **OK** key to open the menu, and select **Camera**.

2. To take a photo, press the **OK** key.

To view the photo right after taking it, select **Preview**. To view the photo later, on the home screen, press the **OK** key, and select **Gallery**.

Record a video

1. Press **OK** key to open the menu, and select **Camera**.

2. To start recording, scroll right and press the **OK** key.

3. To stop recording, press the **OK** key.

To view the video right after recording, select **Preview**. To watch the video later, on the home screen, press the **OK** key and select **Video**.

PERSONALISE YOUR PHONE

Change the ringtone

1. Press **OK** key to open the menu, and select **Settings**.
2. Scroll right to **Personalization** and select **Sound > Tones > Ringtones**.
3. Scroll to a ringtone and press the **OK** key.

Change the look of your home screen

You can change the background of your home screen.

1. Press **OK** key to open the menu, and select **Settings** .
2. Scroll right to **Personalization** and select **Display > Wallpaper**.
3. Select **Camera** to take a new photo for the wallpaper, **Gallery** to choose a wallpaper from the photos on your phone, or **Wallpaper** to select from pre-defined wallpapers.

Use the accessibility mode

With the accessibility mode, the text on the phone display is bigger and the alerts louder, you can also use the TTY mode or hearing aid compatibility (HAC).

Open accessibility mode:

1. Press down on the navigation key to open the menu and select **Settings**.
2. Scroll right to **Device**, and select **Accessibility**.

Accessibility options include:

Display

- Invert colors on display
- Change to large text
- Captions in images
- Readout of text

Sounds

- Mono audio

Device

- Keypad vibration
- TTY
- Hearing aid compatibility
- Real time text (RTT)

SAFETY PRECAUTIONS

- Do not disassemble or open crush, bend or deform, puncture or shred.
- Do not modify or remanufacture, attempt to insert foreign objects into the battery, immerse or expose to water or other liquids, expose to fire, explosion or other hazard.
- Only use the battery with a charging system that has been qualified with the system per CTIA Certification Requirements for Battery System Compliance to IEEE 1725. Use of an unqualified battery or charger may present a risk of fire, explosion, leakage, or other hazard.
- Replace the battery only with another battery that has been qualified with the system per this standard, IEEE-Std-1725. Use of an unqualified battery may present a risk of fire, explosion, leakage or other hazard.
 - Only authorized service providers shall replace battery.
(If the battery is non-user replaceable).
- Promptly dispose of used batteries in accordance with local regulations.

- Avoid dropping the phone or battery. If the phone or battery is dropped, especially on a hard surface, and the user suspects damage, take it to a service center for inspection.
- Improper battery use may result in a fire, explosion or other hazard.

FCC RF Exposure Information (SAR)

This phone is designed and manufactured not to exceed the emission limits for exposure to radio frequency (RF) energy set by the Federal Communications Commission of the United States.

During SAR testing, this device was set to transmit at its highest certified power level in all tested frequency bands, and placed in positions that simulate RF exposure in usage against the head with no separation, and near the body with the separation of 15 mm. Although the SAR is determined at the highest certified power level, the actual SAR level of the device while operating can be well below the maximum value.

This is because the phone is designed to operate at multiple power levels so as to use only the power required to reach the network. In general, the closer you are to a wireless base station antenna, the lower the power output.

The exposure standard for wireless devices employing a unit of measurement is known as the Specific Absorption Rate, or SAR. The SAR limit set by the FCC is 1.6W/kg.

This device is complied with SAR for general population / uncontrolled exposure limits in ANSI/IEEE C95.1-1992 and had been tested in accordance with the measurement methods and procedures specified in IEEE1528.

The FCC has granted an Equipment Authorization for this model phone with all reported SAR levels evaluated as in compliance with the FCC RF exposure guidelines. SAR information on this model phone is on file with the FCC and can be found under the Display Grant section of www.fcc.gov/oet/ea/fccid after searching on FCC ID: 2AWF6-SH3320 .

For this device, the highest reported SAR value for usage against the head is 0.699W/kg, and for usage near the body is 1.020W/kg.

While there may be differences between the SAR levels of various phones and at various positions, they all meet the government requirements.

SAR compliance for body-worn operation is based on a separation distance of 15 mm between the unit and the human body. Carry this device at least 15 mm away from your body to ensure RF exposure level compliant or lower to the reported level. To support body-worn operation, choose the belt clips or holsters, which do not contain metallic components, to maintain a separation of 15 mm between this device and your body.

RF exposure compliance with any body-worn accessory, which contains metal, was not tested and certified, and using such body-worn accessory should be avoided.

FCC COMPLIANCE

This device complies with part 15 of the FCC rules.

Operation is subject to the following two conditions:(1) this device may not cause harmful interference, and (2) this device must accept any interference received, including interference that may cause undesired operation.

NOTE: The manufacturer is not responsible for any radio or TV interference caused by unauthorized modifications or changes to this equipment. Such modifications or changes could void the User's authority to operate the equipment.

NOTE: This equipment has been tested and found to comply with the limits for a Class B digital device, pursuant to part 15 of the FCC Rules. These limits are designed to provide reasonable protection against harmful interference in a residential installation. This equipment generates uses and can radiate radio frequency energy and, if not installed and used in accordance with the instructions, may cause harmful interference to radio communications. However, there is no guarantee that interference will not occur in a particular installation. If this equipment does cause harmful interference to radio or television reception,

which can be determined by turning the equipment off and on, the user is encouraged to try to correct the interference by one or more of the following measures:

- Reorient or relocate the receiving antenna.
- Increase the separation between the equipment and receiver.
- Connect the equipment into an outlet on a circuit different from that to which the receiver is connected.
- Consult the dealer or an experienced radio/TV technician for help.

Federal Communication Commission (FCC) Radiation Exposure Statement.

When using the product, maintain a distance of 20cm from the body to ensure compliance with RF exposure requirements.

QUÉ HAY EN LA CAJA

Su IRIS Flip contiene los siguientes elementos:

- IRIS Flip
- Cable de datos USB-C
- Cargador de pared USB-C
- Documentación

CONOZCA SU TELÉFONO



PRIMEROS PASOS

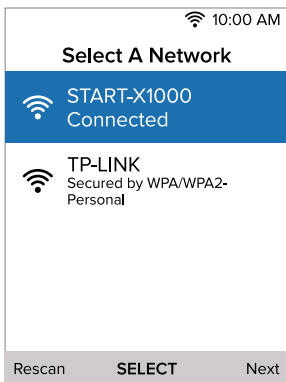
Configuración inicial

El Asistente de configuración incorporado en su teléfono le guiará a través del proceso de configuración inicial.

Activar la eSIM (tarjeta SIM electrónica)

Su IRIS Flip viene con una eSIM y no se necesita una tarjeta SIM física para activar su servicio. Para activar su eSIM, encienda su teléfono y siga estos pasos:

1. Selecciona tu idioma y selecciona el teclado.
2. Selecciona tu red Wi-Fi de la lista.

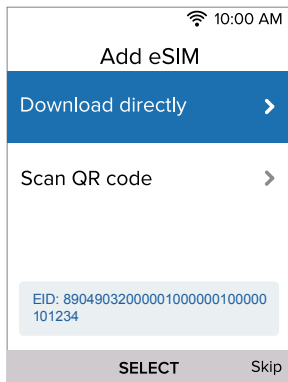




IMPORTANTE: Debe estar conectado a Wi-Fi con conexión a Internet para activar la eSIM.

3. Añadir una eSIM


Puede añadir la eSIM mediante **Descarga directa** o **Escaneando el código QR**. Comience con **Descarga directa**.



3.1 Añadir la eSIM a través de Descarga directa.

Selecciona Descargar directa, tu teléfono comenzará a descargar la eSIM, la descarga puede tardar un minuto dependiendo de la condición de la red Wi-Fi.



 La eSIM se activará una vez finalizada la descarga de la eSIM, luego el dispositivo se reiniciará automáticamente.

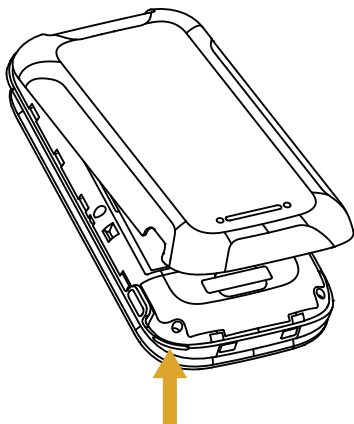
Después del reinicio, conecte otra vez a la red Wi-Fi y continúe con la configuración.

Escanee el código QR si la Descarga directa falla. Si se te solicita escanear un código QR, encuéntralo en el resguardo de embalaje de Consumer Cellular o en el correo electrónico si lo compraste en una tienda.

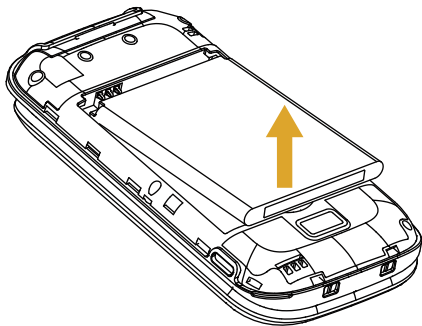
AVISO: Tu configuración puede ser diferente a las instrucciones de esta Guía de inicio rápido debido a actualizaciones de software o si eliges opciones diferentes. Si los pasos son diferentes, siga las instrucciones que aparecen en la pantalla de su teléfono para la configuración.

Abra la tapa trasera

1. Coloque su uña en la pequeña ranura en la parte inferior del teléfono, levante y retire la tapa.



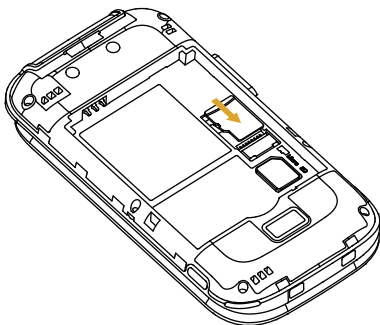
2.Si la batería está en el teléfono, retírela.



Instalación de una tarjeta de memoria (no incluida)

1. Inserte la tarjeta SD en la dirección indicada.
2. Reemplace la batería.
- 3.3. Vuelva a colocar la tapa trasera.

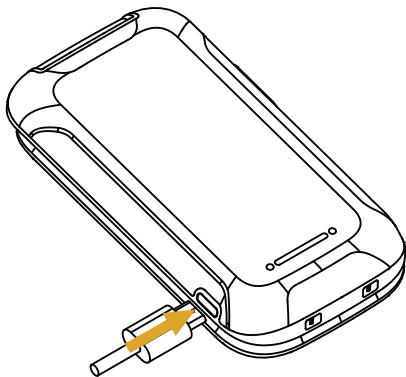
AVISO: Use una tarjeta de memoria microSD (hasta 32 GB).



Carga del teléfono

La batería de su teléfono debe tener suficiente carga para el inicio inicial del teléfono y hacer llamadas. Debes cargar completamente la batería lo antes posible.

¡Importante! Utiliza solo cargadores y cables USB aprobados.



TECLADO

Uso de las teclas del teléfono

- Para abrir la lista de aplicaciones que se muestran en la pantalla de inicio, presione la tecla de navegación hacia la izquierda.
- Para abrir una aplicación o seleccionar una función, presiona la tecla de desplazamiento hacia la derecha, izquierda, arriba o abajo para desplazarte a la aplicación o función, y presiona la tecla de desplazamiento para seleccionar el botón OK.
- Para volver a la vista anterior, presione la tecla de retroceso.
- Para volver a la pantalla de inicio, presione la tecla de encendido/finalización una vez rápidamente.

Bloqueo del teclado

Para bloquear las teclas, simplemente cierre el dispositivo.

Entrada con el teclado

Escritura de texto

- Presione una tecla repetidamente hasta que aparezca la letra deseada. Por ejemplo: Para escribir la letra "c", presione el botón 3 tres veces para ver la letra "c".
- Para ingresar un espacio, presione el botón 0.
- Para ingresar un carácter especial o signo de puntuación, presione el botón * y elija el carácter especial o signo de puntuación.
- Para cambiar entre minúsculas y mayúsculas, presione el botón # y elija la opción que desee.
- Para ingresar un número, mantenga presionada la tecla numérica correspondiente durante 2 segundos.

INTERNET Y CONEXIONES

Conectar a internet

1. Presiona **OK** para abrir el menú y selecciona **Internet**.
2. Selecciona Buscar o ingresar URL.
3. Escribe una dirección web y selecciona **Ir**.
4. Use la tecla de desplazamiento para mover el cursor del ratón en el navegador.

Activar Bluetooth

Presiona **OK** para abrir el menú y selecciona **Ajustes > Red y conectividad > Bluetooth**.

2. Active el Bluetooth a **ON**.
3. Selecciona **Dispositivos cercanos** para encontrar un dispositivo nuevo o **Dispositivos emparejados** para encontrar un dispositivo con el que hayas emparejado tu teléfono previamente.

Activar Wi-Fi

1. Presiona **OK** para abrir el menú y selecciona **Ajustes > Red y conectividad > Wi-Fi**.
2. Active el Wi-Fi.
3. Selecciona **Redes disponibles** y la red que deseas, ingresa una contraseña si es necesario y selecciona **Conectar**.

LLAMADAS TELEFÓNICAS

Hacer una llamada

Aprenda cómo hacer una llamada con su nuevo teléfono.

1. Escribe el número de teléfono o selecciona un contacto. Para escribir el carácter +, utilizado para llamadas internacionales, presione el botón * dos veces.
2. Presione **CALL**.
3. Para finalizar la llamada, presione **PWR END**.

Responder a una llamada

Cuando reciba una llamada telefónica, presione LLAMAR o la tecla de navegación izquierda para contestar la llamada o abra el teléfono para responder automáticamente.

Rechazar una llamada

Cuando reciba una llamada telefónica, presione **PWR END** o la tecla de navegación derecha para rechazar la llamada. Presiona la tecla de navegación y selecciona opciones para rechazar la llamada y enviar un mensaje de texto al llamante.

CONTACTOS

Agregar un contacto

1. Presione la tecla de navegación derecha desde la pantalla de inicio para abrir **Contactos**.
2. Selecciona **Nuevo**.
3. Ingrese los detalles del contacto.
4. Selecciona **GUARDAR**.

Transferir contactos desde el teléfono antiguo

Para agregar contactos de tu cuenta de Gmail, Outlook o tarjeta de memoria a tu nuevo teléfono, selecciona **Contactos > Opciones > Ajustes > Importar contactos** y la opción relevante.

Para agregar contactos desde su teléfono antiguo mediante Bluetooth:

1. En tu nuevo teléfono, selecciona **Ajustes > Red y conectividad > Bluetooth > Activado**.
2. Active el Bluetooth en su teléfono antiguo y envíe los contactos necesarios a su nuevo teléfono mediante Bluetooth.

3. En su nuevo teléfono, acepte la solicitud de transferencia.
4. En la pantalla de inicio, selecciona **Avisos > Archivos recibidos > Importar.**

Llamar a un contacto

Puede llamar a un contacto directamente desde la lista de contactos.

1. Presiona la tecla de desplazamiento y selecciona **Contactos.**
2. Desplácese hasta un contacto y presione **LLAMAR.**

ENVIAR MENSAJES

Escribir y enviar mensajes

1. Presiona la tecla OK hacia abajo desde la pantalla de inicio y selecciona **Mensajes > Nuevo.**
2. En el campo Para, presiona el botón # hasta que puedas ingresar números y luego ingresa un número de teléfono, o selecciona **Contactos** para agregar un contacto desde tu lista de contactos.
3. Escriba su mensaje. Si necesita eliminar un carácter, presione la tecla de retroceso.
4. Selecciona **ENVIAR.**

ENVIAR CORREO

Agregar una cuenta de correo electrónico.

Cuando use la aplicación de correo electrónico por primera vez, se le pedirá que configure su cuenta de correo electrónico.

1. Presiona la tecla **OK** y selecciona Correo electrónico.
2. Selecciona **Siguiente** y luego escribe tu nombre y dirección de correo electrónico.
3. Selecciona **Siguiente** y escribe tu contraseña.
4. Muchas cuentas de correo electrónico como @gmail, @yahoo, @outlook instalarán automáticamente su configuración. Otras cuentas de correo electrónico necesitarán que se agreguen los ajustes.

Escribir un correo electrónico.

1. Presiona la tecla **OK** y selecciona Correo electrónico.
2. Selecciona **Redactar**.
3. En el campo "Para", escriba una dirección de correo electrónico.
4. Escriba el asunto del mensaje y luego redacte su correo electrónico.
5. Selecciona **Enviar**.

FOTOS Y VIDEOS

Hacer una foto

1. Para encender la cámara, presiona **OK** para abrir el menú y selecciona **Cámara**.

2. Para tomar una foto, presione la tecla **OK**.

Para ver la foto justo después de tomarla, selecciona **Vista previa**. Para ver la foto más tarde, en la pantalla de inicio, presiona la tecla **OK** y selecciona **Galería**.

Grabar un vídeo

1. Presiona la tecla **OK** para abrir el menú y selecciona **Cámara**.

2. Para comenzar a grabar, desplácese hacia la derecha y presione la tecla **OK**.

3. Para detener la grabación, presione la tecla **OK**.

Para ver el vídeo justo después de grabarlo, selecciona **Vista previa**. Para ver el vídeo más tarde, en la pantalla de inicio, presiona la tecla **OK** y selecciona **Video**.

PERSONALIZAR SU TELÉFONO

Cambiar el tono de llamada

1. Presiona la tecla **OK** para abrir el menú y selecciona **Ajustes**.
2. Desplázate hacia la derecha hasta **Personalización** y selecciona **Sonido** > **Tonos** > **Tonos de llamada**.
3. Desplácese hasta un tono de llamada y presione la tecla **OK**.

Cambiar la apariencia de la pantalla de inicio

Puede cambiar el fondo de pantalla de su pantalla de inicio.

1. Presiona la tecla **OK** para abrir el menú y selecciona **Ajustes**.
2. Desplázate hacia la derecha hasta **Personalización** y selecciona **Pantalla** > **Fondos de pantalla**.
3. Selecciona **Cámara** para tomar una nueva foto para el fondo de pantalla, **Galería** para elegir un fondo de pantalla de las fotos de tu teléfono, o **Fondos de pantalla** para seleccionar entre fondos de pantalla predefinidos.

Utilizar el modo de accesibilidad

Con el modo de accesibilidad, el texto en la pantalla del teléfono es más grande y las alertas son más fuertes.

También puede utilizar el modo TTY o la compatibilidad con audífonos (HAC).

Abrir el modo de accesibilidad:

1. Presione hacia abajo en la tecla de navegación para abrir el menú y seleccione **Ajustes**.
2. Desplázate hacia la derecha hasta **Dispositivo** y selecciona **Accesibilidad**.

Las opciones de accesibilidad incluyen:

Pantalla

- Invertir colores en la pantalla
- Cambiar a texto grande
- Subtítulos en imágenes
- Lectura de texto en voz alta

Sonidos

- Audio mono

Dispositivo

- Vibración del teclado
- TTY
- Compatibilidad con audífonos
- Texto en tiempo real (TTR)

PRECAUCIONES DE SEGURIDAD

- No desmonte, abra, aplaste, doble, deforme, perforo o desgarre.
- No modifique ni remanufacture, intente insertar objetos extraños en la batería, sumerjas o esponjas al agua u otros líquidos, esponjas al fuego, explosiones u otros peligros.
- Utiliza solo la batería con un sistema de carga que haya sido calificado con el sistema según los requisitos de certificación CTIA para el cumplimiento del sistema de batería según IEEE 1725. El uso de una batería o cargador no calificado puede presentar un riesgo de incendio, explosión, fugas u otros peligros.
- Reemplaza la batería solo con otra batería que haya sido calificada con el sistema según esta norma, IEEE-Std-1725. El uso de una batería no calificada puede presentar un riesgo de incendio, explosión, fugas u otros peligros. El reemplazo de la batería solo puede hacerlo un proveedor de servicios autorizados.
(Si la batería no es reemplazable por el usuario).

- Desecha rápidamente las baterías usadas de acuerdo con las regulaciones locales.
- Evita dejar caer el teléfono o la batería. Si se cae el teléfono o la batería, especialmente sobre una superficie dura, y el usuario sospecha daños, llévalo a un centro de servicio para su inspección.
- El uso incorrecto de la batería puede provocar incendios, explosiones u otros peligros.

Información de exposición RF de la FCC (SAR)

Este teléfono está diseñado y fabricado para no exceder los límites de emisión de energía de radiofrecuencia (RF) establecidos por la Comisión Federal de Comunicaciones de los Estados Unidos.

Durante las pruebas SAR, este dispositivo se configuró para transmitir a su nivel de potencia certificado más alto en todas las bandas de frecuencia probadas, y se colocó en posiciones que simulan la exposición a RF en el uso contra la cabeza sin separación, y cerca del cuerpo con una separación de 15 mm. Aunque el SAR se determina al nivel de potencia certificado más alto, el nivel real de SAR del dispositivo durante su funcionamiento puede estar muy por debajo del valor máximo.

Esto se debe a que el teléfono está diseñado para funcionar a múltiples niveles de potencia, utilizando solo la potencia necesaria para alcanzar la red. En general, cuanto más cerca estés de una antena de estación base inalámbrica, menor será la potencia de salida.

El estándar de exposición para dispositivos inalámbricos que emplean una unidad de medida se conoce como Tasa de Absorción Específica, o SAR. El límite de SAR establecido por la FCC es 1.6W/kg.

Este dispositivo cumple con el SAR para límites de exposición de población general / no controlada en ANSI/IEEE C95.1-1992 y ha sido probado de acuerdo con los métodos y procedimientos de medición especificados en IEEE1528.

La FCC ha otorgado una Autorización de Equipamiento para este modelo de teléfono, con todos los niveles SAR informados evaluados como cumplidores con las pautas de exposición a RF de la FCC. La información SAR de este modelo de teléfono se encuentra en el archivo de la FCC y se puede encontrar en la sección Display Grant en www.fcc.gov/oet/ea/fccid después de buscar el ID de FCC: 2AWF6-SH3320.

Para este dispositivo, el valor de SAR más alto reportado para el uso contra la cabeza es de 0.699W/kg, y para el uso cerca del cuerpo es de 1.020W/kg.

Si bien puede haber diferencias entre los niveles de SAR de varios teléfonos y en varias posiciones, todos cumplen con los requisitos gubernamentales.

El cumplimiento de SAR para la operación llevada en el cuerpo se basa en una distancia de separación de 15 mm entre el dispositivo y el cuerpo humano. Lleva este dispositivo al menos a 15 mm de distancia de tu cuerpo para asegurarte de que el nivel de exposición a RF cumpla con los estándares o sea inferior al nivel reportado. Para admitir la operación llevada en el cuerpo, elige clips de cinturón o fundas que no contengan componentes metálicos para mantener una separación de 15 mm entre este dispositivo y tu cuerpo.

El cumplimiento de la exposición RF con cualquier accesorio llevado en el cuerpo que contenga metal no fue probado ni certificado, y se debe evitar el uso de dicho accesorio llevado en el cuerpo.

CUMPLIMIENTO DE LA FCC

Este dispositivo cumple con la parte 15 de las normas de la FCC. El funcionamiento está sujeto a las dos condiciones siguientes: (1) este dispositivo no puede causar interferencias perjudiciales, y (2) este dispositivo debe aceptar cualquier interferencia recibida, incluidas las interferencias que puedan causar un funcionamiento no deseado.

AVISO: El fabricante no se hace responsable de ninguna interferencia de radio o televisión causada por modificaciones no autorizadas o cambios en este equipo. Las modificaciones o cambios podrían anular la autoridad del usuario para operar el equipo.

Este equipo ha sido probado y se ha determinado que cumple con los límites para un dispositivo digital de Clase B, según lo establecido en la parte 15 de las Normas de la FCC.

AVISO: Este equipo ha sido probado y se ha determinado que cumple con los límites para un dispositivo digital de Clase B, según lo establecido en la parte 15 de las Normas de la FCC. Estos límites están diseñados para proporcionar una protección razonable

les en una instalación residencial.

Este equipo genera, utiliza y puede irradiar energía de radiofrecuencia y, si no se instala y utiliza de acuerdo con las instrucciones, puede causar interferencias perjudiciales en las comunicaciones de radio. Sin embargo, no hay garantía de que no se produzcan interferencias en una instalación determinada.

Si este equipo causa interferencias perjudiciales en la recepción de radio o televisión, lo cual puede determinarse apagando y encendiendo el equipo, se recomienda al usuario que intente corregir la interferencia mediante una o más de las siguientes medidas:

- Reorienta o coloque en otra posición la antena receptora.
- Aumente la separación entre el equipo y el receptor.
- Conecte el equipo a un enchufe de un circuito diferente al que está conectado el receptor.
- Consulte al distribuidor o a un técnico experimentado en radio/TV para obtener ayuda.

Declaración de exposición a la radiación de la Comisión Federal de Comunicaciones (FCC).

Al utilizar el producto, mantenga una distancia de 20 cm

del cuerpo para cumplir con los requisitos de exposición a RF.

Consumer Cellular®

[Consumer Cellular.com](https://www.ConsumerCellular.com)

© 2023 Consumer Cellular, Inc. Consumer Cellular and the Consumer Cellular logo are trademarks of Consumer Cellular, Inc. The Bluetooth wordmark and logos are registered trademarks owned by the Bluetooth SIG, Inc. and any use of such marks is under license. Other trademarks and trade names are the property of their respective owners.